

CATÁLOGO COMERCIAL 2021

MARUSSI

Italian Technology



MARUSSI 

BRAKE PADS

PASTILLAS DE FRENOS



OFRECE LO MEJOR CON NUESTRA LÍNEA AUTOMOTRIZ

FMSI

SEMI METALICA ● CERÁMICA ● ARMORED ●

45022	✓		
D1012-7916	✓	✓	
D1027-7931		✓	
D1035-7779	✓	✓	
D1036-7939	✓		
D1037-7940	✓		
D1039-7943	✓	✓	
D1044-7947	✓		
D1047-7950	✓		
D1067-7973	✓	✓	
D1069-7974	✓	✓	
D1077-7865	✓		
D1080-7985	✓	✓	
D1081-7986		✓	
D1082-7987		✓	
D1083-7915	✓	✓	
D1084-7991		✓	
D1087-7945	✓	✓	
D1092-7997	✓	✓	
D1109-8214	✓	✓	
D1145-8255	✓		
D1158-8268	✓		
D1161-8272	✓		
D1164-8277	✓		
D1169-8282	✓		
D1173-8284	✓		
D1175-8289	✓		
D1184-8301	✓		
D1194-8312	✓		
D1200-8320	✓		





FMSI

SEMI METALICA ●

CERÁMICA ●

ARMORED ●

D1202-8322	✓		
D120-7054	✓		
D1210-8330	✓		
D1213-8333	✓		
D1215-7154	✓	✓	
D1216-7155	✓	✓	
D1222-8331		✓	
D123-7019	✓		
D1273-8389	✓	✓	
D1274-8390	✓	✓	
D1286-8403	✓	✓	
D129-7024	✓		
D1303-8419		✓	✓
D1304-8420		✓	✓
D1321-8433	✓		
D137-7069	✓		
D1377-8488		✓	
D1411-8523	✓	✓	✓
D1434-8552		✓	
D1454-8653	✓		
D1455-8655	✓	✓	✓
D1468-8668	✓		
D1482-8658	✓		
D1487-8687		✓	
D1495-8695	✓		
D1496-8696	✓		
D1497-8697	✓		
D1498-8698		✓	✓
D1499-8254	✓		
D150-7082	✓		



FMSI

SEMI METALICA ●

CERÁMICA ●

ARMORED ●

D1507-7760	✓	✓	
D1508-8715		✓	
D1515-8724	✓		
D1519-8728	✓	✓	
D152-7072	✓		
D154-7070	✓		
D1567-8776	✓		
D1571-7156	✓	✓	
D1572-7157	✓	✓	
D1573-8783	✓		
D1574-8784	✓		
D1611-8824	✓	✓	✓
D1612-8825	✓	✓	✓
D1673-8902	✓		
D1674-8903	✓		
D1677-8906	✓	✓	
D1680-8909	✓	✓	
D1691-8918	✓	✓	
D1964-9189	✓		
D215-7136	✓		
D242-7153	✓		
D266-7282	✓		
D292-7194	✓		
D31-736	✓		
D325-7223	✓		
D340-7335	✓		
D349-7241	✓	✓	
D350-7242	✓		
D369-7259	✓		
D371-7123	✓		



FMSI

SEMI METALICA ●

CERÁMICA ●

ARMORED ●

D374-7233	✓		
D402-7291	✓		
D411-7299		✓	
D436-7298	✓	✓	
D449-7329	✓		
D454-7334	✓		
D464-7344	✓		
D466-7219	✓		
D473-7353	✓		
D485-7342	✓		
D497-7376	✓		
D501-7381	✓		
D502-7298	✓		
D506-7385	✓		
D50-788	✓		
D510-7389	✓		
D52-728	✓		
D530-7412	✓		
D535-7417	✓		
D536-7418	✓		
D544-7424	✓		
D562-7441	✓		
D606-7487	✓		✓
D615-7380	✓		
D632-7503	✓		
D641-7468	✓		
D642-7518	✓		
D649-7529	✓		
D652-7532	✓		
D655-7535	✓		



FMSI

SEMI METALICA ●

CERÁMICA ●

ARMORED ●

D667-7545	✓		
D668-7546	✓		
D677-7557	✓		
D679-7558	✓	✓	
D680-7559	✓	✓	
D688-7563	✓		
D712-7358	✓		
D713-7502	✓		
D726-7593	✓		
D729-7596	✓		
D733-7602	✓		
D755-7624	✓		
D764-7573	✓		
D768-7860	✓		
D772-7639	✓	✓	
D784-7652	✓		
D785-7653	✓	✓	
D790-7660	✓		
D791-7661	✓		
D792-7662	✓		
D813-7688	✓		
D815-7783	✓	✓	
D816-7690	✓		
D824-7625	✓	✓	
D831-7704	✓		
D833-7706	✓		
D855-7566		✓	
D856-7732	✓	✓	
D866-7741	✓	✓	
D867-7742	✓		

BRAKE PADS

PASTILLAS DE FRENOS



FMSI

SEMI METALICA ●

CERÁMICA ●

ARMORED ●

D868-7743	✓		
D881-7758	✓		
D882-7759	✓	✓	
D886-7763	✓	✓	
D889-7767	✓		
D904-7782	✓		
D905-7784	✓		
D924-7825	✓	✓	
D941-7843	✓		
D945-7846	✓		
D965-7864	✓		
D969-7870	✓		
D974-7875	✓		
D974-7881	✓		
D976-7877	✓	✓	✓
D981-7863	✓		
KD0711-545059	✓		
D768-7860	✓		
WVA29001	✓		
WVA29122	✓		

MARUSSI 

SPARK PLUG

BUJÍAS



OFRECE LO MEJOR CON NUESTRA LÍNEA AUTOMOTRIZ

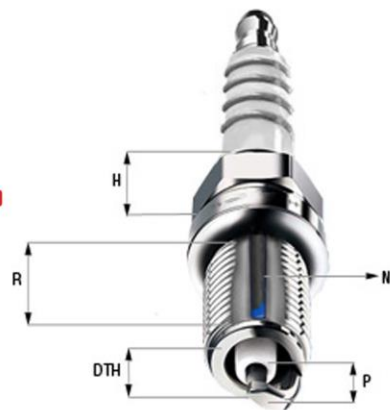
SPARK PLUG

BL13Y

MARUSSI *Power*



MATERIAL: NICKEL
 MFR CODE: BL13Y
 CHAMPION CODE: 18
 SEAT TYPE: TAPERED
 HEX SIZE (MM): 15,87 (5/8")
 THREAD SIZE (MM): 14,00 (35/54")
 THREAD REACH (MM): 11,20 (7/16")
 INSTALLED HEIGHT (MM): 57,91
 GAP (MM): 1,07 - 1,22
 CENTER ELECTRODE DIAMETER (MM): 2,54
 GROUND ELECTRODE QUANTITY: 1



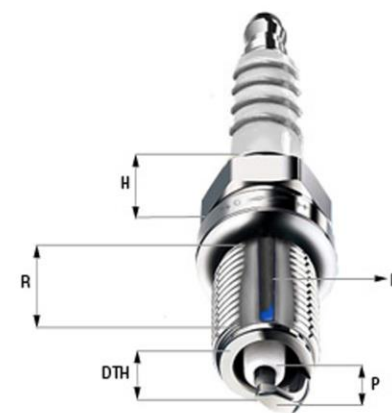
SPARK PLUG

BL15Y

MARUSSI *Power*



MATERIAL: NICKEL
 MFR CODE: BL15Y
 CHAMPION CODE: 18
 SEAT TYPE: TAPERED
 HEX SIZE (MM): 15,88 (5/8")
 THREAD SIZE (MM): 14,00 (35/54")
 THREAD REACH (MM): 11,20 (7/16")
 INSTALLED HEIGHT (MM): 57,91
 GAP (MM): 1,07 - 1,22
 CENTER ELECTRODE DIAMETER (MM): 2,54
 GROUND ELECTRODE QUANTITY: 1



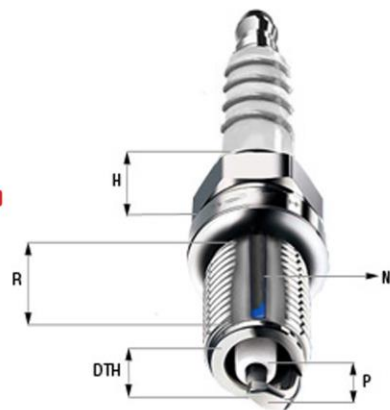
SPARK PLUG

CJ8

MARUSSI *Power*



MATERIAL: NICKEL
 MFR CODE: CJ8
 CHAMPION CODE: 843
 SEAT TYPE: GASKET
 HEX SIZE (MM): 19,00 (3/4")
 THREAD SIZE (MM): 14,00 (35/64")
 THREAD REACH (MM): 9,52 (3/8")
 INSTALLED HEIGHT (MM): 36,83
 GAP (MM): 0,69 - 0,84
 CENTER ELECTRODE DIAMETER (MM): 2,29
 GROUND ELECTRODE QUANTITY: 1



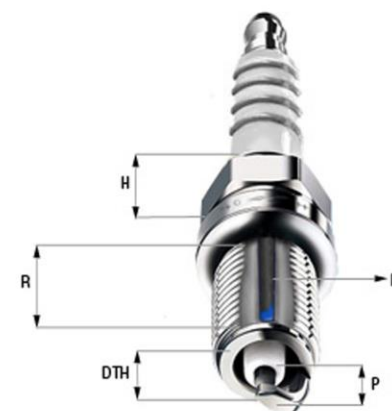
SPARK PLUG

F14YC

MARUSSI *Power*



MATERIAL: NICKEL
 MFR CODE: F14YC
 CHAMPION CODE: 21
 SEAT TYPE: TAPERED
 HEX SIZE (MM): 20,65 (13/16")
 THREAD SIZE (MM): 18,00 (45/64")
 THREAD REACH (MM): 10,90 (27/64")
 INSTALLED HEIGHT (MM): 57,66
 GAP (MM): 0,94 - 1,09
 CENTER ELECTRODE DIAMETER (MM): 2,39
 GROUND ELECTRODE QUANTITY: 1



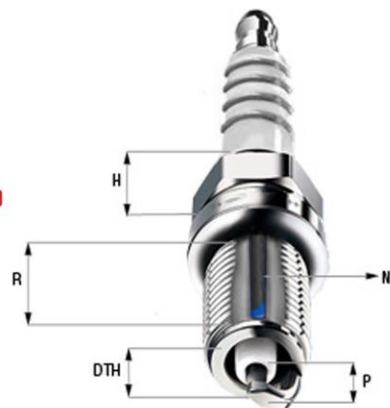
SPARK PLUG

G57C

MARUSSI *Power*



MATERIAL: NICKEL
 MFR CODE: G57C
 CHAMPION CODE: 653
 SEAT TYPE: GASKET
 HEX SIZE (MM): 15,88 (5/8")
 THREAD SIZE (MM): 10,00 (25/64")
 THREAD REACH (MM): 19,05 (3/4")
 INSTALLED HEIGHT (MM): 50,55
 GAP (MM): 0,71 - 0,84
 CENTER ELECTRODE DIAMETER (MM): 1,98
 GROUND ELECTRODE QUANTITY: 1



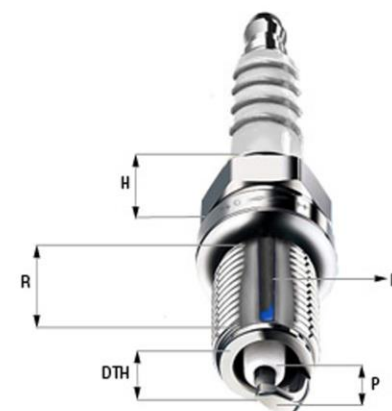
SPARK PLUG

N9YC

MARUSSI *Power*



MATERIAL: NICKEL
 MFR CODE: N9YC
 CHAMPION CODE: 300
 SEAT TYPE: GASKET
 HEX SIZE (MM): 20,65 (13/16")
 THREAD SIZE (MM): 14,00 (35/64")
 THREAD REACH (MM): 19,05 (3/4")
 INSTALLED HEIGHT (MM): 56,90
 GAP (MM): 0,74 - 0,89
 CENTER ELECTRODE DIAMETER (MM): 2,54
 GROUND ELECTRODE QUANTITY: 1



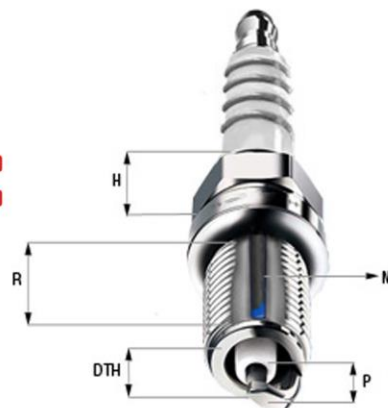
SPARK PLUG

N12YC

MARUSSI *Power*



MATERIAL: NICKEL
 MFR CODE: N12YC
 CHAMPION CODE: 38
 SEAT TYPE: GASKET
 HEX SIZE (MM): 20,65 (13/16")
 THREAD SIZE (MM): 14,00 (35/64")
 THREAD REACH (MM): 19,05 (3/4")
 INSTALLED HEIGHT (MM): 56,90
 GAP (MM): 0,76 - 0,89
 CENTER ELECTRODE DIAMETER (MM): 1,98
 GROUND ELECTRODE QUANTITY: 1



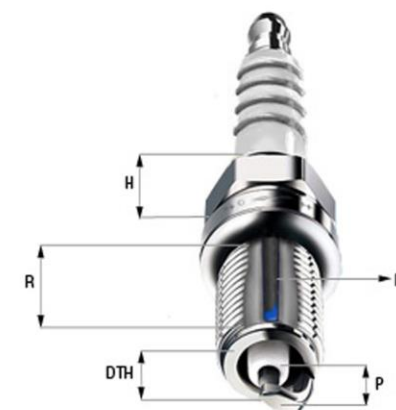
SPARK PLUG

RC9MC4

MARUSSI *Power*



MATERIAL: NICKEL
 MFR CODE: RC9MC4
 CHAMPION CODE: 434
 SEAT TYPE: GASKET
 HEX SIZE (MM): 15,87 (5/8")
 THREAD SIZE (MM): 13,99 (11/20")
 THREAD REACH (MM): 19,05 (3/4")
 INSTALLED HEIGHT (MM): 50,546
 GAP (MM): 1,067 - 1,219
 CENTER ELECTRODE DIAMETER (MM): 2,54
 GROUND ELECTRODE QUANTITY: 1



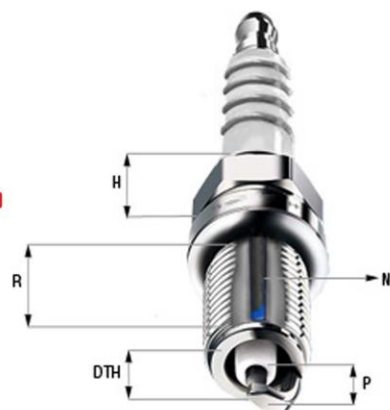
SPARK PLUG

RC9YC

MARUSSI *Power*



MATERIAL: NICKEL
 MFR CODE: RC9YC
 CHAMPION CODE: 344
 SEAT TYPE: GASKET
 HEX SIZE (MM): 15,87 (5/8")
 THREAD SIZE (MM): 13,99 (11/20")
 THREAD REACH (MM): 19,05 (3/4")
 INSTALLED HEIGHT (MM): 50,54
 GAP (MM): 0,81 - 0,96
 CENTER ELECTRODE DIAMETER (MM): 2,54
 GROUND ELECTRODE QUANTITY: 1



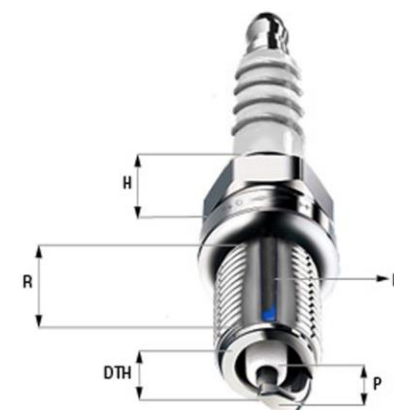
SPARK PLUG

RC12YC

MARUSSI *Power*



MATERIAL: NICKEL
 MFR CODE: RC12YC
 CHAMPION CODE: 71
 SEAT TYPE: GASKET
 HEX SIZE (MM): 15,87 (5/8")
 THREAD SIZE (MM): 13,99 (11/20")
 THREAD REACH (MM): 19,05 (3/4")
 INSTALLED HEIGHT (MM): 50,54
 GAP (MM): 0,81 - 0,96
 CENTER ELECTRODE DIAMETER (MM): 2,54
 GROUND ELECTRODE QUANTITY: 1



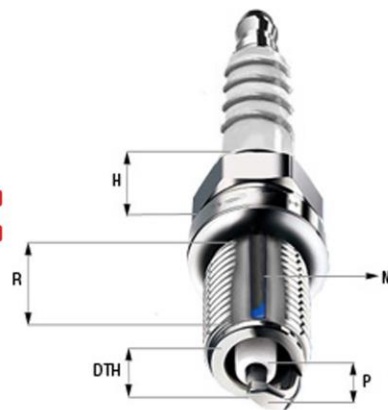
SPARK PLUG

RE 10PMC5

MARUSSI *Platinum*



MATERIAL: PLATINUM
 MFR CODE: RE10PMC5
 CHAMPION CODE: 3032
 SEAT TYPE: TAPERED
 HEX SIZE (MM): 15,87 (5/8")
 THREAD SIZE (MM): 13,99 (11/20")
 THREAD REACH (MM): 24,99 (49/50")
 INSTALLED HEIGHT (MM): 55,88
 GAP (MM): 1,19 - 1,34
 CENTER ELECTRODE DIAMETER (MM): 2,54
 GROUND ELECTRODE QUANTITY: 1



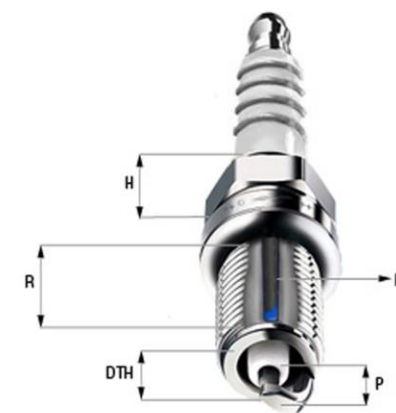
SPARK PLUG

REC 10PYPB4

MARUSSI *Platinum*



MATERIAL: PLATINUM
 MFR CODE: REC10PYPB4
 CHAMPION CODE: 7975
 SEAT TYPE: GASKET
 HEX SIZE (MM): 15,87 (5/8")
 THREAD SIZE (MM): 13,99 (11/20")
 THREAD REACH (MM): 26,49 (1 1/25")
 INSTALLED HEIGHT (MM): 50,54
 GAP (MM): 1,06 - 1,21
 CENTER ELECTRODE DIAMETER (MM): 2,54
 GROUND ELECTRODE QUANTITY: 1



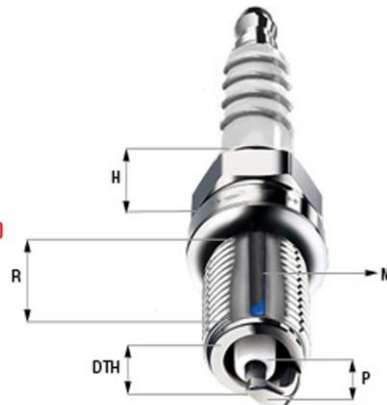
SPARK PLUG

RS10PYC4

MARUSSI *Platinum*



MATERIAL: PLATINUM
 MFR CODE: RS10PYC4
 CHAMPION CODE: 3401
 SEAT TYPE: TAPERED
 HEX SIZE (MM): 15,87 (5/8")
 THREAD SIZE (MM): 13,99 (11/20")
 THREAD REACH (MM): 17,50 (69/100")
 INSTALLED HEIGHT (MM): 52,07
 GAP (MM): 0,94 - 1,09
 CENTER ELECTRODE DIAMETER (MM): 1,98
 GROUND ELECTRODE QUANTITY: 1



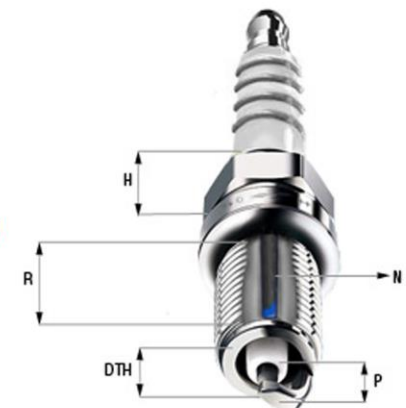
SPARK PLUG

RA4HCX

MARUSSI *gold*



MATERIAL: COOPER
 MFR CODE: RA4HCX
 CHAMPION CODE: 1005
 SEAT TYPE: GASKET
 HEX SIZE (MM): 15,87 (5/8")
 THREAD SIZE (MM): 11,98 (59/125")
 THREAD REACH (MM): 19,05 (3/4")
 INSTALLED HEIGHT (MM): 50,54
 GAP (MM): 0,83 - 0,94
 CENTER ELECTRODE DIAMETER (MM): 2,54
 GROUND ELECTRODE QUANTITY: 1



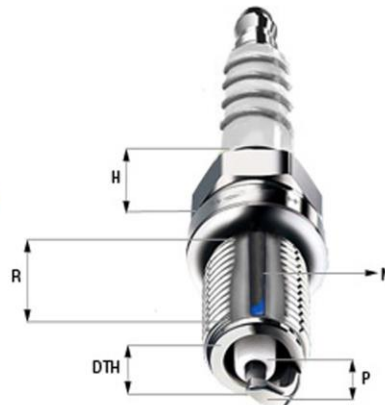
SPARK PLUG

RC89TMC

MARUSSI *gold*



MATERIAL: COOPER
 MFR CODE: RC89TMC
 CHAMPION CODE: 353
 SEAT TYPE: GASKET
 HEX SIZE (MM): 15,87 (5/8")
 THREAD SIZE (MM): 13,95 (11/20")
 THREAD REACH (MM): 19,05 (3/4")
 INSTALLED HEIGHT (MM): 50,54
 GAP (MM): 0,39 - 0,59
 CENTER ELECTRODE DIAMETER (MM): 2,54
 GROUND ELECTRODE QUANTITY: 1



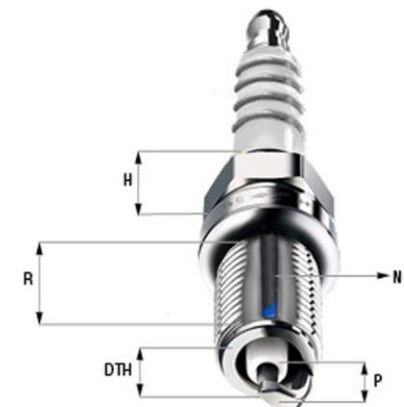
SPARK PLUG

RE14MCC5

MARUSSI *gold*



MATERIAL: COOPER
 MFR CODE: RE14MCC5
 CHAMPION CODE: 470
 SEAT TYPE: GASKET
 HEX SIZE (MM): 15,87 (5/8")
 THREAD SIZE (MM): 13,99 (11/20")
 THREAD REACH (MM): 24,99 (49/50")
 INSTALLED HEIGHT (MM): 55,88
 GAP (MM): 1,19 - 1,30
 CENTER ELECTRODE DIAMETER (MM): 2,54
 GROUND ELECTRODE QUANTITY: 1



SPARK PLUG

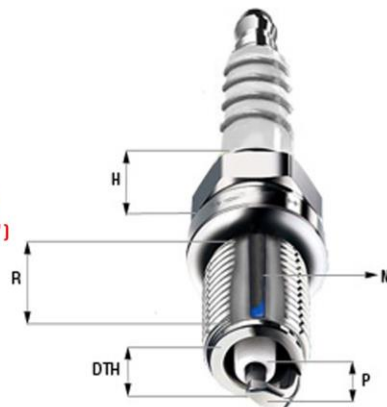
REC10YC4

MARUSSI *gold*



MATERIAL:
MFR CODE:
CHAMPION CODE:
SEAT TYPE:
HEX SIZE (MM):
THREAD SIZE (MM):
THREAD REACH (MM):
INSTALLED HEIGHT (MM):
GAP (MM):
CENTER ELECTRODE DIAMETER (MM):
GROUND ELECTRODE QUANTITY:

COOPER
REC10YC4
975
GASKET
15,87 (5/8")
13,99 (11/20")
26,492 (1 1/25")
50,54
1,00 - 1,10
2,54
1



MARUSSI

OIL FILTERS

FILTROS DE ACEITE



OFRECE LO MEJOR CON NUESTRA LÍNEA AUTOMOTRIZ

OIL FILTERS

MF-92095

ML-92095



DIMENSIONES

H(ALTO): **73 MM**

OD (DIÁMETRO EXTERIOR): **68 MM**

THREAD(ROSCA): **M18X1.5**

1 UNIT/S (OD/ID) **63 MM / 55 MM**

APLICACIÓN:

CHEVROLET SPARK L4 1.2L **2011/2015**

CHEVROLET SPARK CLASSIC L4 1.2L **2016/2017**



OIL FILTERS

MF-16

ML-16 WIX- 51085



DIMENSIONES

H(ALTO): **97 MM**

OD (DIÁMETRO EXTERIOR): **95 MM**

THREAD(ROSCA): **3/4-16**

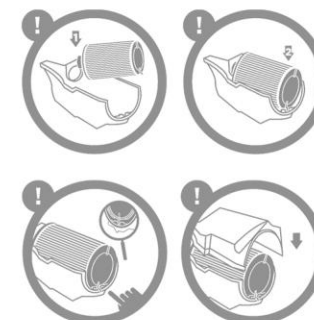
1 UNIT/S (OD/ID) **72 MM / 62 MM**

APLICACIÓN:

SEBRING **DURANGO**

CARAVAN **GRAND CARAVAN**

DAKOTA **CHEROKEE 91-01**



OIL FILTERS

MF-3690

ML-3690 WIX- 51810



DIMENSIONES

H(ALTO): **158 MM**

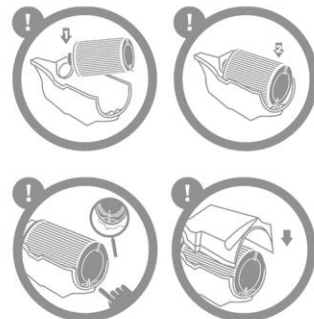
OD (DIÁMETRO EXTERIOR): **119 MM**

THREAD(ROSCA): **1 1/2" - 12**

1 UNIT/S (OD/ID) **112 MM / 98 MM**

APLICACIÓN:

ENCAVA ENT-900 FSR
NPR 3.9
FVR



OIL FILTERS

MF-2870

ML-2870 WIX- 51342



DIMENSIONES

H(ALTO): **120 MM**

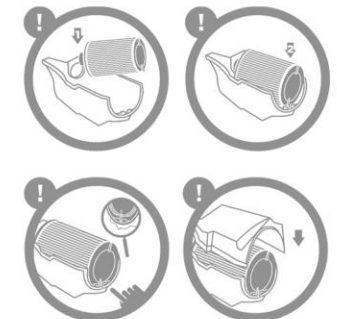
OD (DIÁMETRO EXTERIOR): **79 MM**

THREAD(ROSCA): **3/4" - 16**

1 UNIT/S (OD/ID) **72 MM / 62 MM**

APLICACIÓN:

AUDI (A3, A4) GOLF 92-04
BORA, POLO
GOLF 92-08 JETTA



OIL FILTERS

MF-2

ML-2

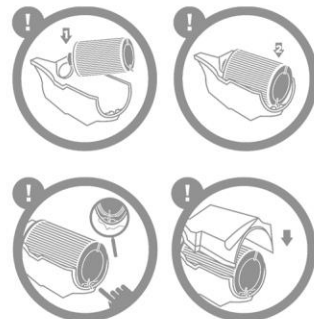


DIMENSIONES

H(ALTO): **106 MM**
 OD (DIÁMETRO EXTERIOR): **93 MM**
 THREAD(ROSCA): **M22X1.5**
 1 UNIT/S (OD/ID) **72 MM / 62 MM**

APLICACIÓN:

RANGER RAM 4000 **08-09**
 GRAND CHEROKEE **09-11** ESCAPE
 EXPEDITION **00-09** EXPLORER **00-08**



OIL FILTERS

MF-3387

ML-3387 WIX- 51040

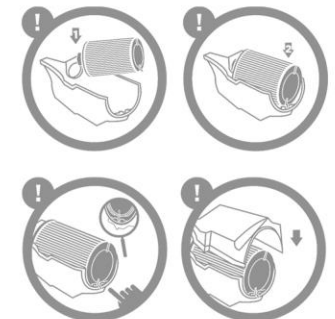


DIMENSIONES

H(ALTO): **87 MM**
 OD (DIÁMETRO EXTERIOR): **79 MM**
 THREAD(ROSCA): **M18X1.5**
 1 UNIT/S (OD/ID) **72 MM / 76 MM**

APLICACIÓN:

ASTRA CAPRICE **81-85**
 AVEO CORSA
 CAMARO **93-02** OPTRA



OIL FILTERS

MF-3593

ML-3593 WIX-51356



DIMENSIONES

H(ALTO): **87 MM**

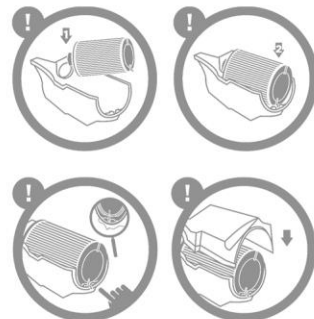
OD (DIÁMETRO EXTERIOR): **72 MM**

THREAD(ROSCA): **M20X1.5**

1 UNIT/S (OD/ID) **63 MM / 56 MM**

APLICACIÓN:

GRAND TIGER **4X4** ACCORD
TIGGO CIVIC
PALIO 1.4 LANCER **94-14**



OIL FILTERS

MF-3600

ML-3600 WIX-51516



DIMENSIONES

H(ALTO): **120 MM**

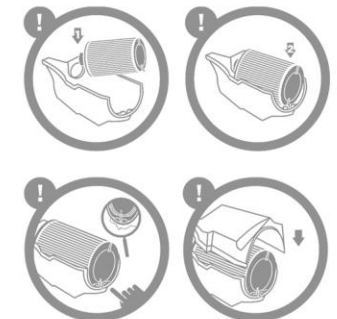
OD (DIÁMETRO EXTERIOR): **79 MM**

THREAD(ROSCA): **3/4 - 16**

1 UNIT/S (OD/ID) **72 MM / 62 MM**

APLICACIÓN:

GRAND TIGER **4X2** ECOSPORT
DAKOTA FIESTA
RITMO FOCUS



OIL FILTERS

MF-3614

ML-3614 WIX-51348



DIMENSIONES

H(ALTO): **87 MM**

OD (DIÁMETRO EXTERIOR): **78 MM**

THREAD(ROSCA): **3/4-16**

1 UNIT/S (OD/ID) **72 MM / 62 MM**

APLICACIÓN:

ARAUCA
X1
GRAND VITARA

NEON
DONGFENG PICK-UP
4RUNNER 4.7



OIL FILTERS

MF-3682

ML-3682 WIX-51361



DIMENSIONES

H(ALTO): **98 MM**

OD (DIÁMETRO EXTERIOR): **83 MM**

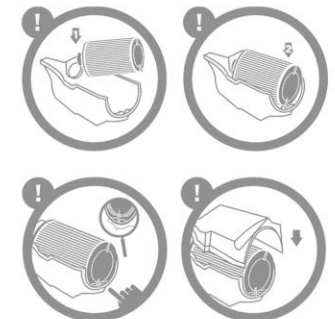
THREAD(ROSCA): **3/4-16**

1 UNIT/S (OD/ID) **62 MM / 55 MM**

APLICACIÓN:

ARMADA
SENTRA B13
SENTRA B14

LUV DMAX DIESEL



OIL FILTERS

MF-3807

ML-3807 WIX-51334



OIL FILTERS

MF-4558

ML-4558 WIX-51841

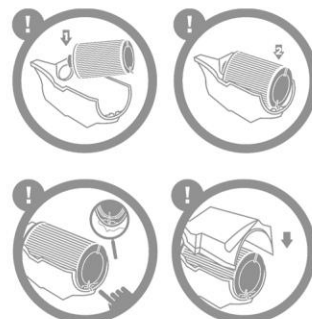


DIMENSIONES

H(ALTO): **81 MM**
 OD (DIÁMETRO EXTERIOR): **80 MM**
 THREAD(ROSCA): **M20X1.5**
 1 UNIT/S (OD/ID) **64 MM / 56 MM**

APLICACIÓN:

BRISA SANTA FE
 FESTIVA SONATA
 ELANTRA TUCSON

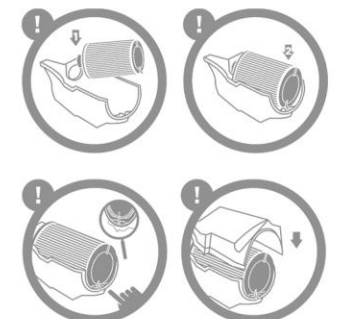


DIMENSIONES

H(ALTO): **101 MM**
 OD (DIÁMETRO EXTERIOR): **77 MM**
 THREAD(ROSCA): **M20X1.5**
 1 UNIT/S (OD/ID) **71 MM / 62 MM**

APLICACIÓN:

FORZA SIENA
 FIORINO TEMPRA
 PALIO 1.6



OIL FILTERS

MF-4967

ML-4967 WIX-51394



OIL FILTERS

MF-5548

ML-5548



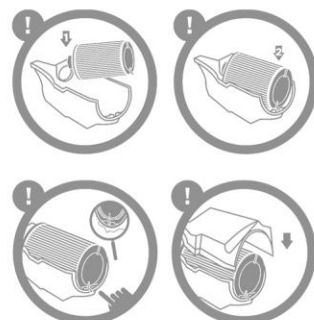
DIMENSIONES

H(ALTO): **72 MM**
 OD (DIÁMETRO EXTERIOR): **69 MM**
 THREAD(ROSCA): **3/4-16**
 1 UNIT/S (OD/ID) **61 MM / 54 MM**

APLICACIÓN:

ARAUCA
 X1
 GRAND VITARA

NEON
 DONGFENG PICK-UP
 4RUNNER 4.7



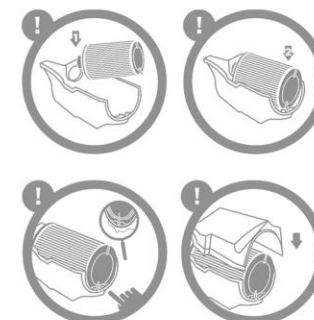
DIMENSIONES

H(ALTO): **93 MM**
 OD (DIÁMETRO EXTERIOR): **78 MM**
 THREAD(ROSCA): **3/4-16**
 1 UNIT/S (OD/ID) **72 MM / 63 MM**

APLICACIÓN:

ARMADA
 SENTRA B13
 SENTRA B14

LUV DMAX DIESEL



OIL FILTERS

MF-5566

ML-5566 WIX-51083



OIL FILTERS

MF-5796

ML-5796



DIMENSIONES

H(ALTO): **87 MM**

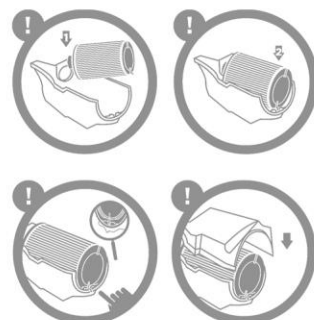
OD (DIÁMETRO EXTERIOR): **78 MM**

THREAD(ROSCA): **M20X1.5**

1 UNIT/S (OD/ID) **76 MM / 62 MM**

APLICACIÓN:

EPICA
PEUGEOT 206 / 407
CENTAURO



DIMENSIONES

H(ALTO): **53 MM**

OD (DIÁMETRO EXTERIOR): **78 MM**

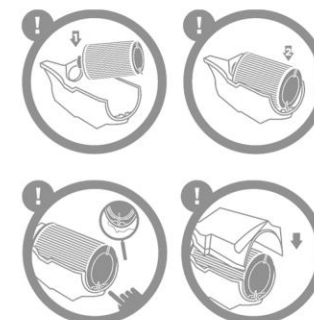
THREAD(ROSCA): **M20X1.5**

1 UNIT/S (OD/ID) **72 MM / 62 MM**

APLICACIÓN:

CLIO
KANGOO
LOGAN

MEGAN
SYMBOL
TWINGO



OIL FILTERS

MF-6607

ML-6607



DIMENSIONES

H (ALTO): **66 MM**

OD (DIÁMETRO EXTERIOR): **68 MM**

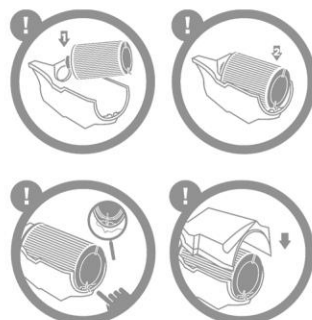
THREAD (ROSCA): **M20X1.5**

1 UNIT/S (OD/ID) **64 MM / 57 MM**

APLICACIÓN:

HAIMA 7
PICANTO
MAZDA 3 / 323

ALLEGRO
PATHFINDER
PATROL



OIL FILTERS

MF-8

ML-8 WIX-51515



DIMENSIONES

H (ALTO): **132 MM**

OD (DIÁMETRO EXTERIOR): **95 MM**

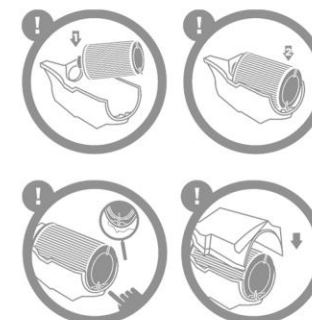
THREAD (ROSCA): **3/4" - 16**

1 UNIT/S (OD/ID) **72 MM / 62 MM**

APLICACIÓN:

SAMURAI
AUTANA
DYNA

DODGE DART
BRONCO
EXPLORER 92-97



OIL FILTERS

MF-4997

ML-4997



DIMENSIONES

H(ALTO): **67 MM**

OD (DIÁMETRO EXTERIOR): **68 MM**

THREAD(ROSCA): **3/4-16**

1 UNIT/S (OD/ID) **63 MM / 56 MM**

APLICACIÓN:

QQ
SPARK
TERIOS BE GO



OIL FILTERS

MF-6355

ML-6355 WIX- 51067



DIMENSIONES

H(ALTO): **139 MM**

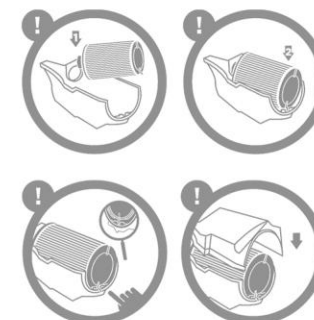
OD (DIÁMETRO EXTERIOR): **104 MM**

THREAD(ROSCA): **M26X1.5**

1 UNIT/S (OD/ID) **74 MM / 65 MM**

APLICACIÓN:

PREGGIO GS
PREGGIO RS
CANTER 444



OIL FILTERS

MF-96796

ML-96796 WIX-57064



DIMENSIONES

H(ALTO): **57 MM**

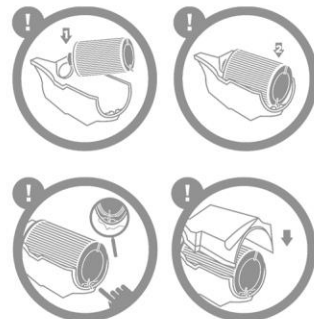
OD (DIÁMETRO EXTERIOR): **60 MM**

ID (DIÁMETRO INTERNO): **28 MM**

1 UNIT/S (OD/ID) **77 MM / 70 MM**

APLICACIÓN:

COROLLA IMPORTADO 1.8 09-14



OIL FILTERS

MF-10060

ML-10060 WIX-57060



DIMENSIONES

H(ALTO): **87 MM**

OD (DIÁMETRO EXTERIOR): **77 MM**

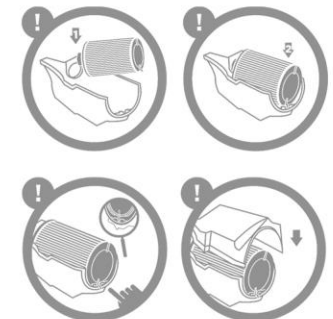
THREAD(ROSCA): **M26X1.5**

1 UNIT/S (OD/ID) **72 MM / 62 MM**

APLICACIÓN:

AVALANCHE
SILVERADO
TAHOE

SILVERADO 3500



OIL FILTERS

MF-19547

ML-19547



OIL FILTERS

MF-19626

ML-19626

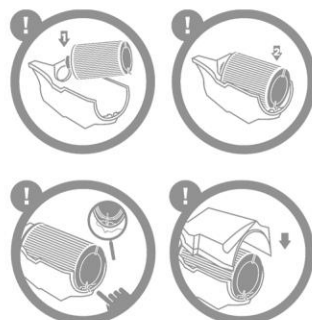


DIMENSIONES

H(ALTO): **57 MM**
 OD (DIÁMETRO EXTERIOR): **60 MM**
 ID (DIÁMETRO INTERNO): **28 MM**
 1 UNIT/S (OD/ID) **77 MM / 70 MM**

APLICACIÓN:

4RUNNER V6 4.0 **10-14**

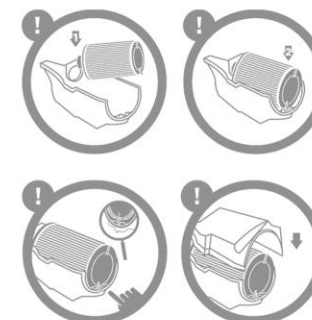


DIMENSIONES

H(ALTO): **105 MM**
 OD (DIÁMETRO EXTERIOR): **57 MM**
 ID (DIÁMETRO INTERNO): **22 MM**
 1 UNIT/S (OD/ID) **67 MM / 60 MM**

APLICACIÓN:

CRUZE **11-14**



OIL FILTERS

MF-20004

ML-20004 WIX-51348



DIMENSIONES

H(ALTO): **100 MM**

OD (DIÁMETRO EXTERIOR): **77 MM**

THREAD(ROSCA): **3/4-16**

1 UNIT/S (OD/ID) **70 MM / 63 MM**

APLICACIÓN:

4RUNNER 4.0 HILUX 4.0
FORTUNER AUTANA
MACHITO LAND CRUISER 4500



OIL FILTERS

MF-53597

ML-53597



DIMENSIONES

H(ALTO): **97 MM**

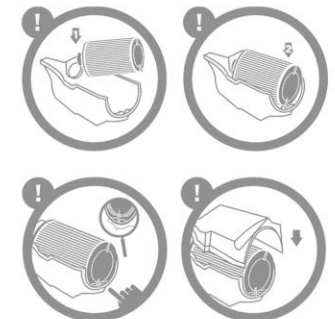
OD (DIÁMETRO EXTERIOR): **96 MM**

THREAD(ROSCA): **M20X1.5**

1 UNIT/S (OD/ID) **90 MM / 80 MM**

APLICACIÓN:

CHERY ORINOCO



OIL FILTERS

MF-90 18

ML-9018

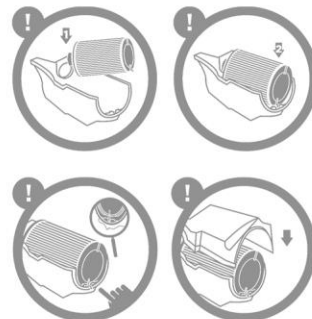


DIMENSIONES

H (ALTO): **89 MM**
 OD (DIÁMETRO EXTERIOR): **65 MM**
 ID (DIÁMETRO INTERNO): **35 MM**
 1 UNIT/S (OD/ID) **74 MM / 68 MM**

APLICACIÓN:

ORLANDO
 ASTRA 2.2



OIL FILTERS

MF-98 14

ML-9814



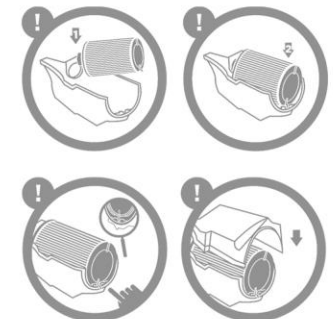
DIMENSIONES

H (ALTO): **69 MM**
 OD (DIÁMETRO EXTERIOR): **66 MM**
 ID (DIÁMETRO INTERNO): **25 MM**
 1 UNIT/S (OD/ID) **80 MM / 72 MM**

APLICACIÓN:

PEUGEOT 207 HATCHBACK
 PEUGEOT 206 XR, 307, 408
 CITROEN C3

DONGFENG S30
 CENTAURO 1.6



OIL FILTERS

MF-3675

ML-3675 WIX-51522



DIMENSIONES

H(ALTO): **115 MM**

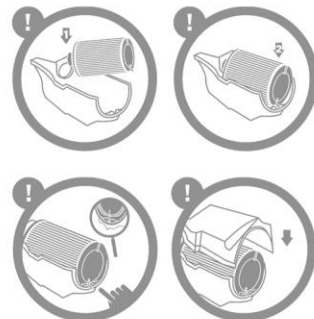
OD (DIÁMETRO EXTERIOR): **78 MM**

THREAD(ROSCA): **13/16-16**

1 UNIT/S (OD/ID) **72 MM / 63 MM**

APLICACIÓN:

CAPTIVA 07-09 CHEVROLET AVALANCHE
GRAND BLAZER 271 CHEYENNE 4.8L / 5.7L
SILVERADO 93-99 WAGONEER 81-89.



OIL FILTERS

MF-3908

ML-3908 WIX-24071



DIMENSIONES

H(ALTO): **112 MM**

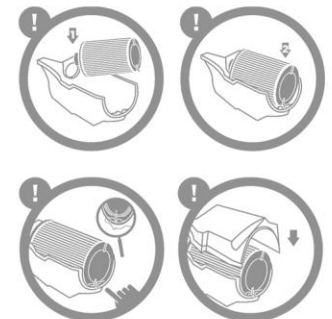
OD (DIÁMETRO EXTERIOR): **95 MM**

THREAD(ROSCA): **11/16-16**

1 UNIT/S (OD/ID) **72 MM / 63 MM**

APLICACIÓN:

ENCAVA ENT-2000 8.3L CARGO 815
IVECO 260E37H CARGO 1721
JAC HFC 1131



OIL FILTERS

MF-9437

ML-9437



DIMENSIONES

H (ALTO): **89 MM**

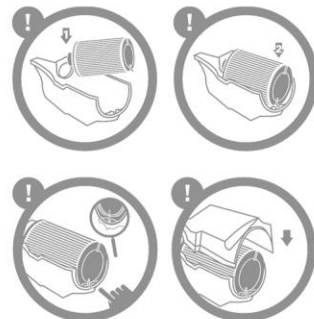
OD (DIÁMETRO EXTERIOR): **53 MM**

ID (DIÁMETRO INTERNO): **24 MM**

1 UNIT/S (OD/ID) **67 MM / 60 MM**

APLICACIÓN:

RENAULT TWINGO 4L 1,2LTS
DOHC 16 VALVE 2001-2009



OIL FILTERS

MF-42040

ML-42040 WIX-59911



DIMENSIONES

H (ALTO): **124 MM**

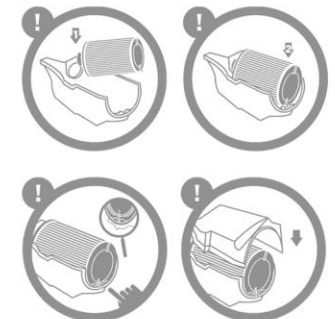
OD (DIÁMETRO EXTERIOR): **95 MM**

THREAD (ROSCA): **M26X1.5**

1 UNIT/S (OD/ID) **72 MM / 62 MM**

APLICACIÓN:

NHR CANTER
NKR
PREGGIO



MARUSSI

FUEL PUMP PILAS DE COMBUSTIBLE



OFRECE LO MEJOR CON NUESTRA LÍNEA AUTOMOTRIZ

CODIGO
1509FA0117

Voltage: 12 Vdc
Pressure: 43,51 PSI
Current: $\leq 5,80$ A
Flow: 80-110 Liter/Hrs.
Shut Off Pressure: $\geq 101,53$ PSI"

MODELO APLICACIÓN

TOYOTA

YARIS

HILUX KAVAK 2007-2014



CODIGO
23221-5010

Voltage: 12 Vdc

Pressure: 43,51 PSI

Current: $\leq 5,50$ A

Flow: 100-130 Liter/Hrs.

Shut Off Pressure: $\leq 123,28$ PSI

MODELO APLICACIÓN

TOYOTA

4RUNNER

TUNDRA

TACOMA (2068 CON GANCHO)



CODIGO
3M5U-9350-AA

Voltage: 12 Vdc
Pressure: 43,51 PSI
Current: $\leq 5,50$ A
Flow: 100-130 Liter/Hrs.
Shut Off Pressure: $\leq 123,28$ PSI

MODELO APLICACIÓN

MAZDA 3, 6
FORD ECOSPORT
FX4
EXPLORER
SUPER DUTY



CODIGO
E2069

Voltage: 12 Vdc
Pressure: 43,51 PSI
Current: $\leq 5,50$ A
Flow: 100-130 Liter/Hrs.
Shut Off Pressure: $\leq 123,28$ PSI

MODELO APLICACIÓN

FORD
FIESTA POWER
MOVE 2004-2012
(CON DOBLE RETORNO)



CODIGO
EP357

Voltage: 12 Vdc
Pressure: 43,51 PSI
Current: $\leq 5,50$ A
Flow: 100-130 Liter/Hrs.
Shut Off Pressure: $\leq 123,28$ PSI

MODELO APLICACIÓN

FORD

F150
BRONCO (A46K)
(60>>75 PSI) [A46K]



CODIGO
E2157

Voltage: 12 Vdc
Pressure: 43,51 PSI
Current: $\leq 5,50$ A
Flow: 100-130 Liter/Hrs.
Shut Off Pressure: $\leq 123,28$ PSI

MODELO APLICACIÓN

FORD EXPLORER
FORTALEZA
FIESTA
FOCUS (85>>120PSI)



CODIGO **MU-1309**

Voltage: 12 Vdc
Pressure: 43,51 PSI
Current: $\leq 6,50$ A
Flow: 140-170 Liter/Hrs.
Shut Off Pressure: $\leq 123,28$ PSI

— **MODELO APLICACIÓN**

CHEVROLET SILVERADO
C-1500/C3500



CODIGO

100611-2R/P76234

Voltage: 12 Vdc

Pressure: 43,51 PSI

Current: $\leq 6,50$ A

Flow: 140-170 Liter/Hrs.

Shut Off Pressure: $\leq 123,28$ PSI

MODELO APLICACIÓN

CHEVROLET SILVERADO

C-1500/C3500

(REGULADOR)



CODIGO **DA 160 10A**

Voltage: 12 Vdc
Pressure: 43,51 PSI
Current: $\leq 6,50$ A
Flow: 140-170 Liter/Hrs.
Shut Off Pressure: $\leq 123,28$ PSI

— **MODELO APLICACIÓN**

CHEVROLET
LUV DMAX 3.5 2004-2014
JEEP
GRAND CHEROKEE 4G
2012



CODIGO
E-2068

Voltage: 12 Vdc
Pressure: 43,51 PSI
Current: $\leq 5,50$ A
Flow: 100-130 Liter/Hrs.
Shut Off Pressure: ≤ 120 PSI

MODELO APLICACIÓN

UNIVERSAL VARIAS
CHEVROLET, FORD, TOYOTA
(60>> PSI)



CODIGO **EP240**

Voltage: 12 Vdc
Pressure: 43,51 PSI
Current: $\leq 5,50$ A
Flow: 100-130 Liter/Hrs.
Shut Off Pressure: $\leq 123,28$ PSI

— **MODELO APLICACIÓN**

CHEVROLET BLAZER 1994-1996
(SIN RETORNO)
(30>>45 PSI)



CODIGO **EP80 12**

Voltage: 12 Vdc
Pressure: 1,45 PSI
Current: $\leq 1,50$ A
Flow: ≥ 90 Liter/Hrs.
Shut Off Pressure: 4,93 - 8,99 PSI

— **MODELO APLICACIÓN**

UNIVERSAL CON KIT
INSTALACION (5.5 - 9 PSI)



CODIGO **EP240R**

Voltage: 12 Vdc
Pressure: 43,51 PSI
Current: $\leq 6,50$ A
Flow: 140-170 Liter/Hrs.
Shut Off Pressure: $\leq 123,28$ PSI

MODELO APLICACIÓN

CHEVROLET BLAZER
CAVALIER
CORSA 1995-1999
(CON RETORNO)



CODIGO
53183437

Voltage: 12 Vdc
Pressure: 58,01 PSI
Current: $\leq 6,50$ A
Flow: 100-130 Liter/Hrs
Shut Off Pressure: $\leq 123,28$ PSI

MODELO APLICACIÓN

JEEP CHEROKEE
KK LIBERTY 2008-2014



CODIGO
96423297

Voltage: 12 Vdc
Pressure: 43,51 PSI

MODELO APLICACIÓN

CHEVROLET AVEO
(COMPLETA)



CODIGO
23210-87403

Voltage: 12 Vdc
Pressure: 43,51 PSI
Current: \leq 6,50 A

— MODELO APLICACIÓN

TOYOTA TERIOS
(COMPLETA)



CODIGO
77020-0K080

Voltage: 12 Vdc
Current: $\leq 6.5A$
Flow: 75L/H

MODELO APLICACIÓN

TOYOTA 4RUNNER



CODIGO
77020-35072

Voltage: 12 Vdc
Current $\leq 6.5A$
Flow: 125L/H

MODELO APLICACIÓN

TOYOTA PRADO, MERU



CODIGO
93285978A

Voltage: 12 Vdc
Current : $\leq 4A$
Flow: 95L/H

MODELO APLICACIÓN

CHEVROLET CORSA 2003-2011
1.3/ 1.4/ 1.6



CODIGO
PFS511

Voltage: 13.5V
Current: $\leq 8.5A$
Flow: 145L/H

MODELO APLICACIÓN

FORD F-350 **2008-2010**



CODIGO
E2527M

Voltage: 13.5V
Current: $\leq 10.5A$
Flow: 215L/H

MODELO APLICACIÓN

FORD SUPER DUTY
F-250, F-350 **2011-2018**



MARUSSI

BATERIAS

DE LIBRE MANTENIMIENTO



OFRECE LO MEJOR CON NUESTRA LÍNEA AUTOMOTRIZ

GRUPO 22



22M



- 12V
- Rendimiento A 27°C: **700A**
- Rendimiento A 0°C: **600A**
- Reserva: **85min**
- Capacidad Nominal C20: **60AH**
- (L: 237mm * A: 170mm * H:205mm)



22MR



24MR



GRUPO 24

24M



- 12V
- Rendimiento A 27°C: **800A**
- Rendimiento A 0°C: **700A**
- Reserva: **90min**
- Capacidad Nominal C20: **60AH**
- (L: 270mm * A: 172mm * H:225mm)



GRUPO 26



26M



- 12V
- Rendimiento A 27°C: **700A**
- Rendimiento A 0°C: **600A**
- Reserva: **85min**
- Capacidad Nominal C20: **50AH**
- (L: 213mm * A: 175mm * H:190mm)



26MR



GRUPO 43



43M



- 12V
- Rendimiento A 27°C: **900A**
- Rendimiento A 0°C: **800A**
- Reserva: **85min**
- Capacidad Nominal C20: **54AH**
- (L: 270mm * A: 175mm * H:175mm)

43MR



GRUPO 45



45M



- 12V
- Rendimiento a 27°C: 650A
- Rendimiento a 0°C: 550A
- Reserva: 80min
- Capacidad nominal c20: 50AH
- (L: 233mm * A: 139mm * H:220mm)



45MR



GRUPO N40MR

N40MR



- 12V
- Rendimiento a 27°C: 600A
- Rendimiento a 0°C: 500A
- Reserva: 60min
- Capacidad nominal c20: 40AH
- (L: 270mm * A: 175mm * H:175mm)



GRUPO 4D

GRUPO 30H

30H



- 12V
- Rendimiento a 27°C: 1200A
- Rendimiento a 0°C: 1100A
- Reserva: 170min
- Capacidad nominal c20: 90AH
- (l: 340mm * a: 173mm * h:225mm)

4D



- 12V
- Rendimiento a 27°C: 1300A
- Rendimiento a 0°C: 1200A
- Reserva: 290min
- Capacidad nominal c20: 160AH





WWW.MARUSSIPARTS.COM